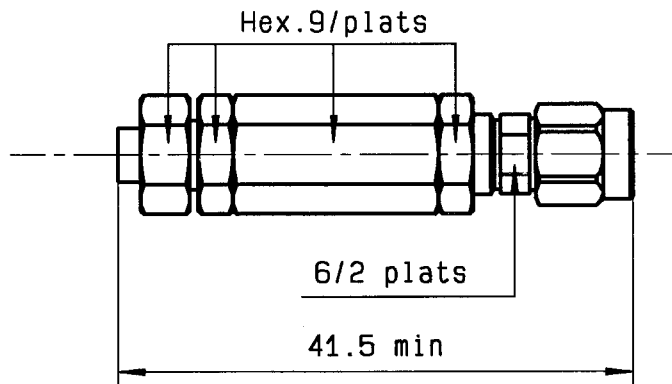




DRAWING



General tolerances: +/- 0.5 mm

R F CHARACTERISTICS

FREQUENCY RANGE : DC - 18 GHz
 IMPEDANCE : 50 Ohms
 INSERTION LOSS : $\leq 0.1 \times \sqrt{F}$ (GHz) dB
 V.S.W.R : $\leq 1.05 + 0.014 \times F$ (GHz)
 PHASE SHIFT RANGE : $10^\circ \times F$ (GHz)
 PHASE SHIFT RANGE PER ROTATION : $0.6^\circ \times F$ (GHz)

MECHANICAL CHARACTERISTICS

CONNECTOR : SMA male per MIL-C 39012
 WEIGHT : < 20 g
 MAXIMUM LENGHT VARIATION : 8.6 mm
 SEMI-RIGID CABLE ASSEMBLY : By soldering

ENVIRONMENTAL CHARACTERISTICS

OPERATING TEMPERATURE RANGE (°C) : -55 , +85
 STORAGE TEMPERATURE RANGE (°C) : -55 , +85

CREATION

N° :
 PEN/EP:CAT
 Name:MLG
 Date:15. jan. 96
 APP.:VE

ISSUE

REVISIONS

NAME

APPR.

RADIALL®

101. rue P. Hoffmann -Z.I Ouest-
 93116 ROSNY/BOIS Cedex-FRANCE
 Phone:33(1)49353535
 Fax :33(1)48546363
 Tlx RADIA 235220F

This information is given as an indication. In the continual goal to improve our products, we reserve the right to make any modifications judged necessary

4112-9212